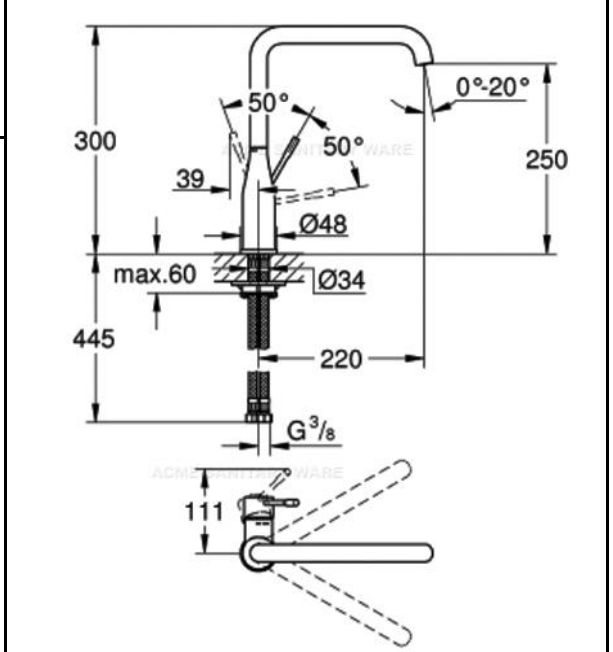




PROJECT		REF		REV	ITEM CODE	
LOCATION		DATE			PAGE	

## SANITARY WARE SPECIFICATION SHEET

Item Descriptions	GROHE (Germany) "Essence" Single-lever brushed warm sunset sink mixer; nominated flow rate <b>5.8 L/min</b> in WELS <b>Grade 2</b> ; Registration No. TM 18-0209
Dimensions	L220 x W111 x H300 mm
Model	30269DL0
Finish	Brushed Warm Sunset
Country of Origin	Portugal
Manufacturer	GROHE Limited
Supplier	Acme Sanitary Ware Co. Ltd Mr. Eric Wong/ Mr. Don Yuen
Contact Tel/Fax	(852) 2388-7171 / (852) 2710-8012
E-mail	acme@acmesanitary.com.hk
Website	www.acmesanitary.com.hk



Dynamic flow pressure (kPa)	50	150	250	350	500
Flow rate (l/min)	3.25	5.35	6.25	5.85	5.75

**Essence**  
**Single-lever sink mixer 1/2"**  
 high spout  
 single hole installation  
**GROHE StarLight** chrome finish  
**GROHE SilkMove** 28 mm ceramic cartridge  
 mousseur  
 swivel tubular spout  
 adjustable swivel area 0° / 150° / 360°  
 flexible connection hoses  
 rapid installation system  
 integrated temperature limiter  
 min. recommended pressure 1.0 bar



- Colour options:**
- 000 | StarLight Chrome
  - GL0 | Cool Sunrise
  - DC0 | SuperSteel
  - GN0 | Brushed Cool Sunrise
  - DA0 | Warm Sunset
  - DL0 | Brushed Warm Sunset
  - A00 | Hard Graphite
  - BE0 | Polished Nickel
  - AL0 | Brushed Hard Graphite
  - EN0 | Brushed Nickel

\* All information of the above is for the reference only. No prior notice is made if any changes.



自願參與用水效益標籤計劃 - 水龍頭  
Voluntary Water Efficiency Labelling Scheme - Water Taps



茲證明  
This is to certify that

將下列水龍頭在本計劃內註冊：  
has registered the following water tap under this scheme :

牌子 / Brand	:	GROHE
型號 / Model	:	30269XXX
種類 / Type	:	Mixing
原產地 / Country or Region Origin	:	Portugal

在用水效益標籤上展示的標誌 <i>Symbolic Presentation on the Water Efficiency Label</i>	:		滴水點 <i>Water droplet(s)</i>
用水效益級別 <i>Water Efficiency Grade</i>	:	2	
耗水量 <i>Water Consumption</i>	:	5.8	公升/分鐘 <i>litres/minute</i>

簽發日期：  
Date of Issue: 10 August 2018

水務署  
Water Supplies Department



水務署署長(鍾兆榮代行)  
for Director of Water Supplies